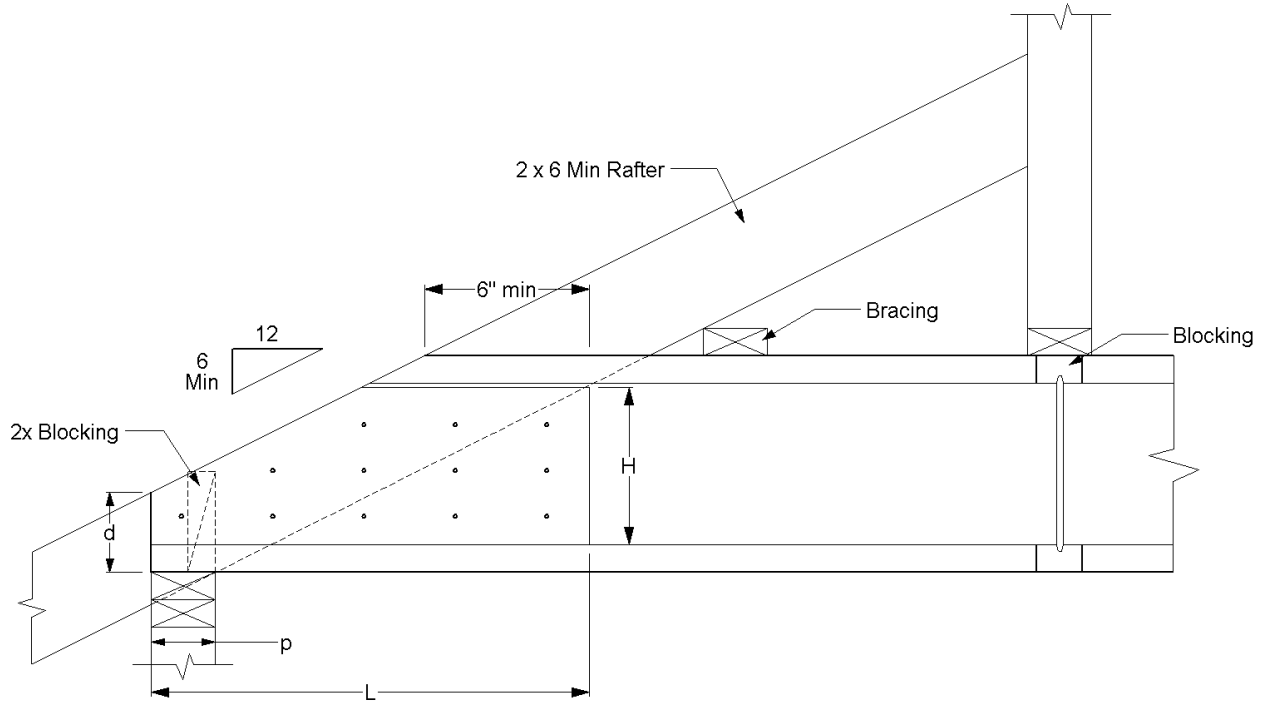


# Pinkwood PKjoists®

## Rafter Slope-Cut I-joist Reinforcement

### Rafter Cut Detail

The following reinforcement detail restores the I-joists shear and end reaction capacity for joists slope cut to match rafter slope. The reinforcement requires that all bracing, blocking and sloped 2x rafter connections are per design professional.



Bearing (p)	Heel Height (d) to Pitch					
	6/12	7/12	8/12	9/12	10/12	12/12
2 x 4	4-3/8"	4-5/16"	4-1/4"	4-1/4"	4-1/4"	4-1/4"
2 x 6	3-3/8"	3-3/16"	2-5/16"	2-3/4"	2-9/16"	2-1/4"

Joist Depth	Reinforcement			2x3 Flange Joist		2x4 Flange Joist	
	(L)	(H)	(t)	Nail	Screw	Nail	Screw
9-1/2"	20"	6-1/4"	23/32"	8d Com	#9	10d Com	#10
11-7/8"	24"	8-5/8"	23/32"	8d Com	#9	10d Com	#10
14"	30"	10-3/4"	1"	10d Com	#10	16d Com	SDS x 2½"
16"	36"	12-3/4"	1"	10d Com	#10	16d Com	SDS x 2½"

- Fasteners are spaced 3 rows at 4" o.c. from both sides. Offset rows ½".
- (t) dimension equals min reinforcement net thickness for single or multi-ply panels.
- Apply construction adhesive to all contact surfaces and each ply.

If you have any questions, please contact Pinkwood Ltd. for details.

