

Pinkwood PKjoists®

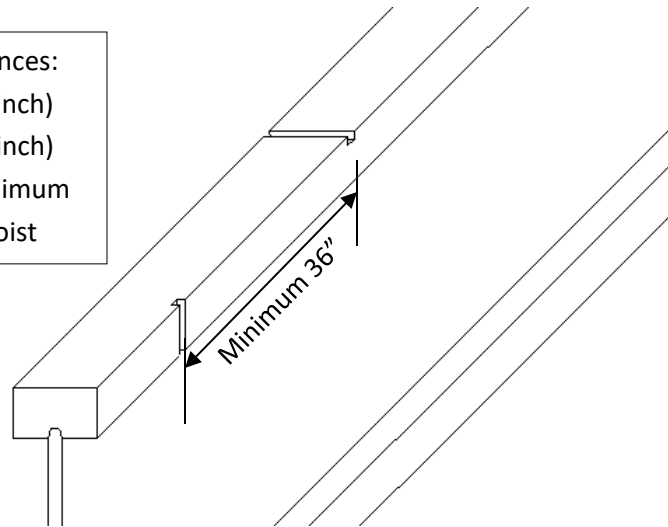
Minor Flange Cuts and Banding Damage

Minor flange cuts

When handling, cutting and packaging PKjoists®, it is common for small cuts to be mistakenly made to the joist flanges. These cuts can be as the result of a chainsaw blade bump to the top of the joist pack or a skill-saw cut with the depth guard improperly set. While these small cuts are unsightly, they do not affect the performance of the joist provided they fall within the following limitations:

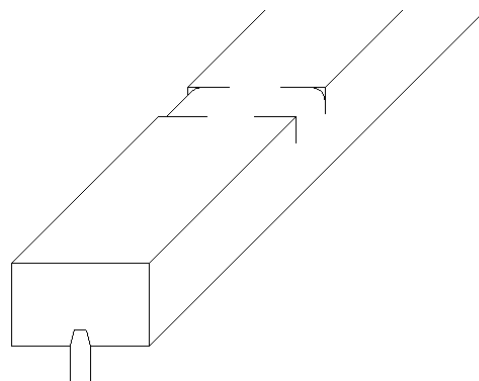
Maximum allowable distances:

- Depth = ¼" (0.25-inch)
- Width = ¼" (0.25-inch)
- Spacing = 36" Minimum
- Quantity = 2 per joist



Banding damage

Crushing damage can occur when joist pack banding is cinched too tightly around the I-joist. This is particularly true when the joist has been exposed to wet weather conditions prior to or during the banding process. The appearance of banding marks and flange distortions, as seen below, does not affect the performance of the joist.



Note: If minor flange cuts or banding damage exceed those listed above, a review from a licensed design professional may be required.

If you have any questions, please contact Pinkwood Ltd. for details.



5929 6th Street NE, Calgary, Alberta, CANADA, T2K 5R5
Ph: 855.279.3700 www.Pinkwood.ca

TECHNICAL BULLETIN
TB06

January 2020 (Expires 1/1/2022)