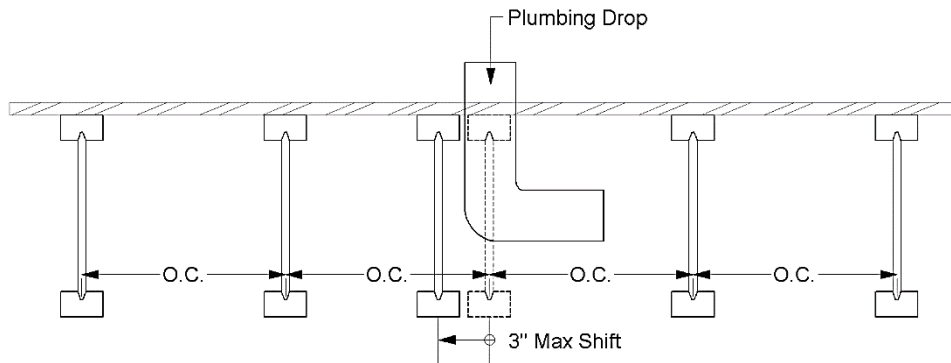


Pinkwood PKjoists®

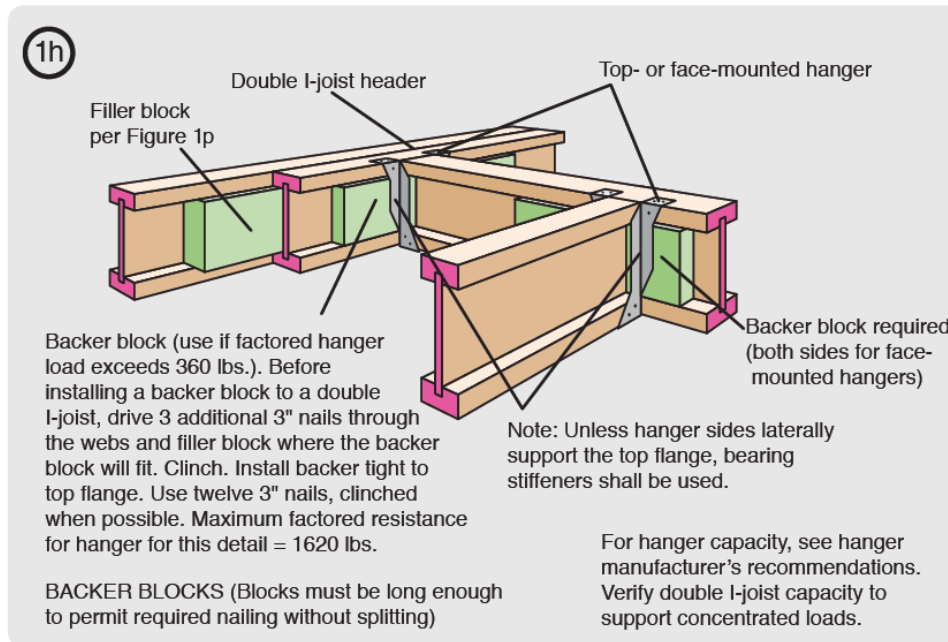
On-Center shift allowance for Plumbing

Joist placement adjustment for Plumbing drops

Pinkwood Ltd. allows a single PKjoist® series I-joist to be shifted a maximum of 3" to avoid plumbing or mechanical components. Note that the allowable shift must not exceed the span index rating of sheathing being used. The detail below outlines this allowance.



If a shift greater than 3" is needed, and additional joists are impractical, Pinkwood recommends "heading out" the joist and creating a double joist header as depicted in detail 1h below from Pinkwood's Install Guide. Please contact customer support with any questions or concerns.



Additional analysis may be required to ensure adjacent joists can support the added loads.

If you have any questions, please contact Pinkwood Ltd. for details.



5929 6th Street NE, Calgary, Alberta, CANADA, T2K 5R5

Ph: 855.279.3700 www.Pinkwood.ca

TECHNICAL BULLETIN

TB02

January 2020 (Expires 1/1/2022)