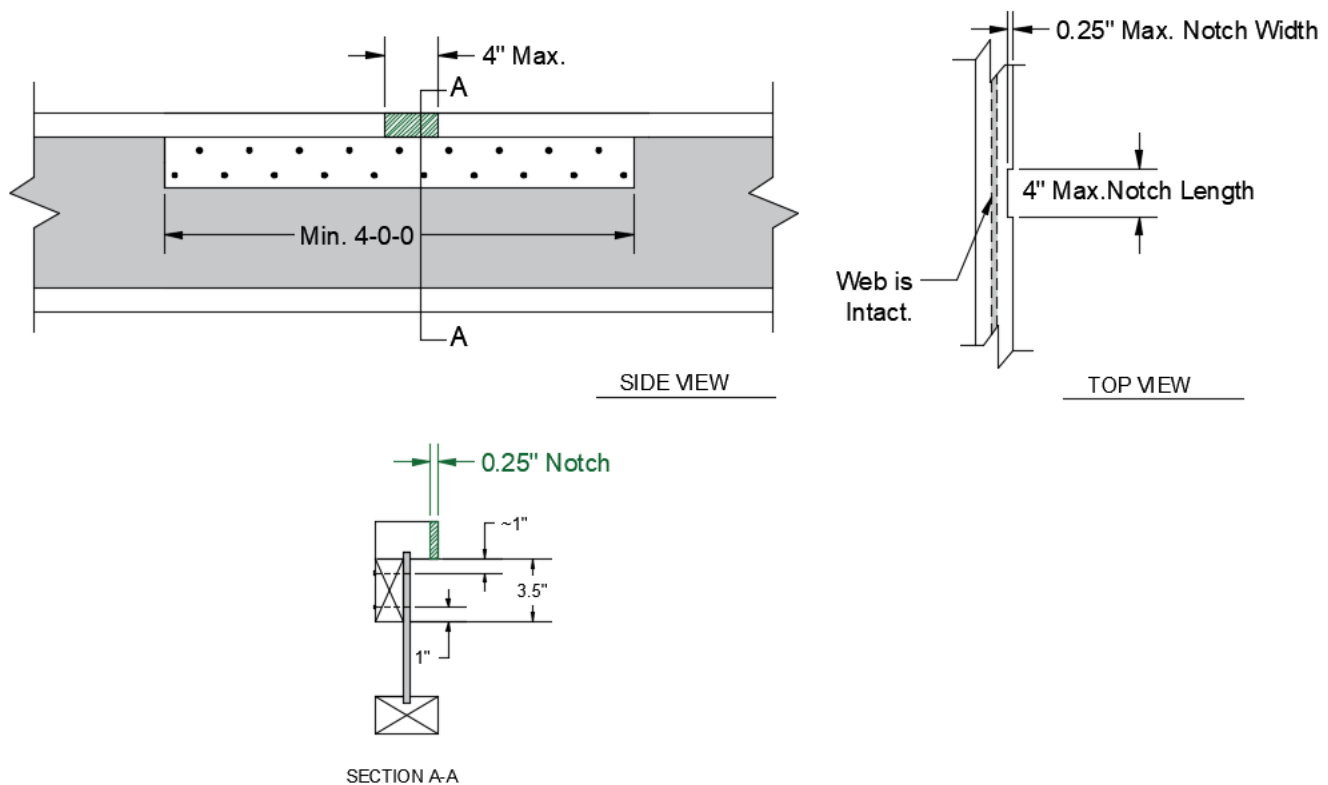


## PinkWood PKI<sup>®</sup> Joists Standard Top Flange Notch Repair – Canada (LSD)

### Top Flange Notch Repair:

While it is common for subfloor penetrations to occur close to joists location, it is recommended, when possible, to shift the joist away from such penetrations to avoid inadvertently cutting the joist top flange (*see On-Center shift allowance for plumbing*). When this is not possible, or when the joist shift was missed during construction, minor top flange notches for uniformly loaded joists can be repaired in a standardized method provided the location, size and length of these notches are as indicated below.



### Installation Notes:

- Install 2x4 #2 SPF or better grade reinforcement (centered at the notch location).
- Apply construction adhesive to all contact surfaces.
- Install reinforcement tight to the underside of the top flange opposite the side of the notch.
- Fasten reinforcement to the web with 2 rows of 10d Common Nails (0.145" x 3"), staggered and clinched @ 6" o.c., or with 2 rows of #8 wood screws at 6" o.c.
- Repair is only valid for uniformly loaded joists.
- Max. notch length = 4"