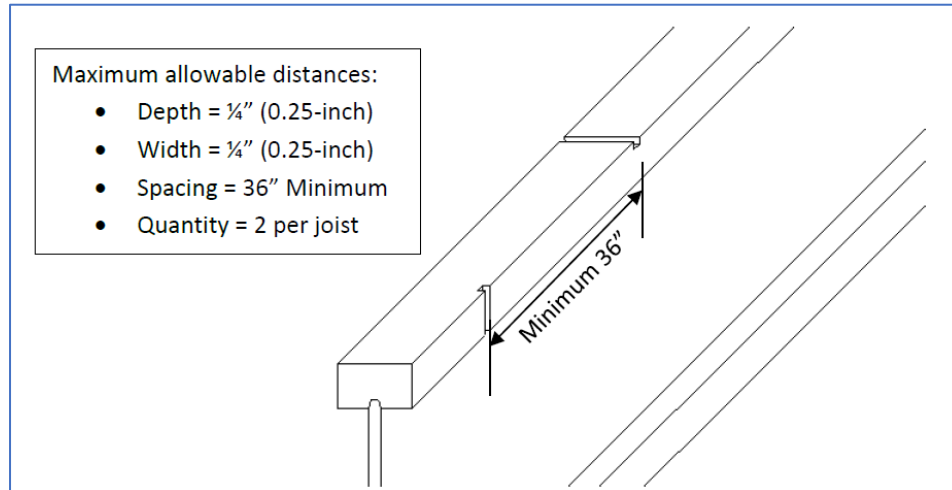


PinkWood PKI® Joists Minor Flange Cuts – Canada (LSD)

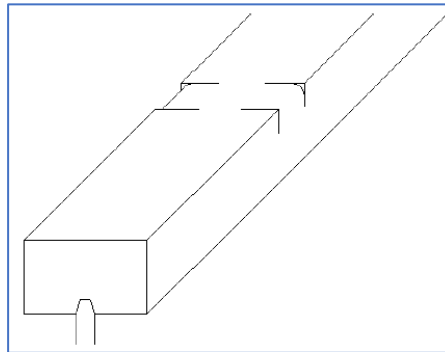
Minor flange cuts:

When handling, cutting, and packaging PKI® I-Joists, it is common for small cuts to be mistakenly made into the joist flanges. These cuts could be the result of a chainsaw blade bump, or a skill-saw with the depth guard improperly set. While these small cuts are not desired, they do not affect the structural performance of the joist provided the cuts fall within the following limitations:



Banding/wrapping damage:

Localized crushing damage can occur when the band of the wrapped I-Joists is cinched too tightly around the I-joists. This is more obvious when the joists have been exposed to wet weather conditions prior to or during the wrapping process. The appearance of banding marks and flange distortions, as seen below, does not affect the structural performance of the joists if the band cuts do not exceed $\frac{1}{3}$ of the flange depth and the total length of the cuts at the same location on the face of the flange does not exceed $\frac{1}{2}$ of the flange width.



Note: If minor flange cuts or banding/wrapping damage exceed those listed above, a review by a licensed design professional may be required.