

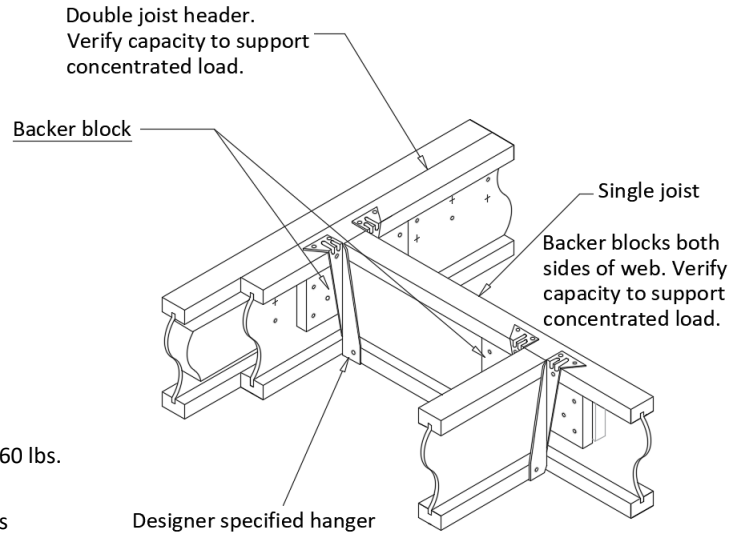
# FLOOR DETAILS SUPPLEMENT- LIMIT STATES DESIGN (CANADA)

## TOP MOUNT HANGER

Flange Width	Backer Block Thickness	Joist Depth	Filler/Backer Block Depth
2-1/2"	1"	9-1/2", 11 7/8"	6 1/4"
		14" – 16"	10 3/4"
		18" – 24"	14 3/4"
3-1/2"	1-1/2"	9-1/2", 11 7/8"	6 1/4"
		14" – 16"	10 3/4"
		18" – 24"	14 3/4"

**Notes:**

- Backer block shall be used if the hanger factored load exceeds 360 lbs.
- Backer block shall be installed tight to top flange.
- Before installing backer to double I-joist, fasten the filler block as indicated in the table below. Repeat on back side of double joist. Stagger nails to avoid splitting.
- Filler block shall be minimum 4 ft. long and centered at the hanger location.
- Backer block shall be centered at the hanger location.
- Filler/Backer block min. grade shall be SPF or better.
- Filler block thickness shall be as per manufacturer’s installation guide.
- Minimum distances for the 10d Common Nail (0.148" x 3") are as follows:
  - Edge distance = 3/4"
  - End distance = 2"
  - Min. distance between nails in a row = 3"
  - Min. distance between rows of nails = 1 1/2"



**Maximum Factored Resistance for the Hanger:**

Filler Min. Length	Filler to Web Connections (both sides)	Backer Min. Length	Backer Connections	Maximum Factored Resistance for the Hanger
48 inches	(6) – 10d Common Nails (0.148" x 3")	24 inches	(18) – 10d Common Nails (0.148" x 3")	2430 lbf.
	(10) – 10d Common Nails (0.148" x 3")	36 inches	(30) – 10d Common Nails (0.148" x 3")	4050 lbf.

**Notes:**

- Half of the nails shall be placed symmetrically on each side of the supported hanger.
- Verify double joist header capacity to support concentrated loads. For hanger capacity, see hanger manufacturer’s recommendations.
- Minimum nails distances shall be as indicated above.
- Clinch nails when possible.

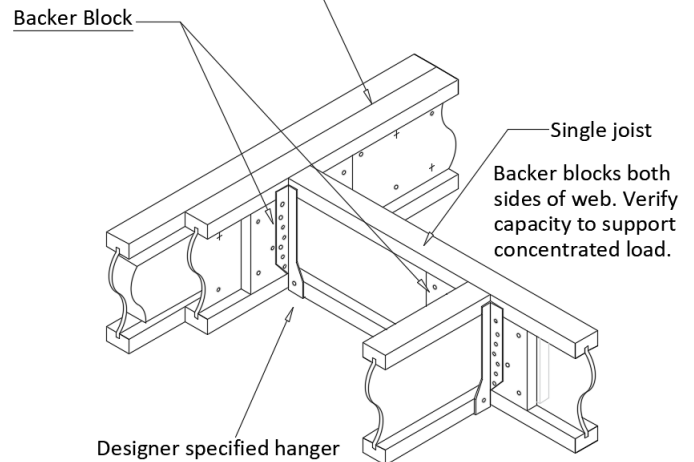
## FACE MOUNT HANGER

Flange Width	Backer Block Thickness	Joist Depth	Filler/Backer Block Depth
2-1/2"	1"	9-1/2"	6-1/4"
		11-7/8"	8-5/8"
		14"	10-3/4"
		16"	12-3/4"
		18"	14-3/4"
		20"	16-3/4"
		22"	18-3/4"
3-1/2"	1-1/2"	9-1/2"	6-1/4"
		11-7/8"	8-5/8"
		14"	10-3/4"
		16"	12-3/4"
		18"	14-3/4"
		20"	16-3/4"
		22"	18-3/4"
24"	20-3/4"		

### Notes:

- Backer block shall be installed tight to top flange.
- Before installing backer to double I-joist, fasten the filler block as indicated in the table below. Repeat on back side of double joist. Stagger nails to avoid splitting.
- Filler block shall be minimum 4 ft. long and centered at the hanger location.
- Backer block shall be centered at the hanger location.
- Filler/Backer block min. grade shall be SPF or better.
- Filler block thickness shall be as per manufacturer's installation guide.
- Minimum distances for the 10d Common Nail (0.148" x 3") are as follows:
  - Edge distance = 3/4"
  - End distance = 2"
  - Min. distance between nails in a row = 3"
  - Min. distance between rows of nails = 1 1/2"

Double joist header. Verify capacity to support concentrated load.



Unless hanger sides laterally restrain top flange, bearing stiffeners are required at hangers.

### Maximum Factored Resistance for the Hanger:

Filler Min. Length	Filler to Web Connections (both sides)	Backer Min. Length	Backer Connections	Maximum Factored Resistance for the Hanger
48 inches	(6) – 10d Common Nails (0.148" x 3")	24 inches	(18) – 10d Common Nails (0.148" x 3")	2430 lbf.
	(10) – 10d Common Nails (0.148" x 3")	36 inches	(30) – 10d Common Nails (0.148" x 3")	4050 lbf.

### Notes:

- Half of the nails shall be placed symmetrically on each side of the supported hanger.
- Verify double joist header capacity to support concentrated loads. For hanger capacity, see hanger manufacturer's recommendations.
- Minimum nails distances shall be as indicated above.
- Clinch nails when possible.