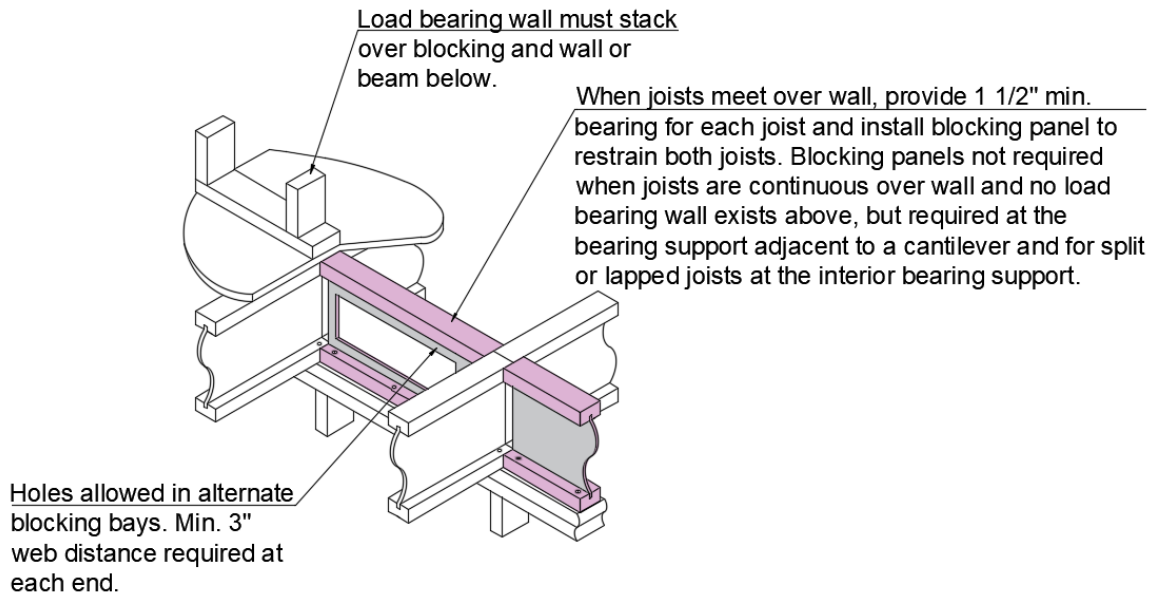


PinkWood PKI® Joists

Blocking Requirements at Interior Bearing Supports – Canada (LSD)

Load Bearing Wall Above:



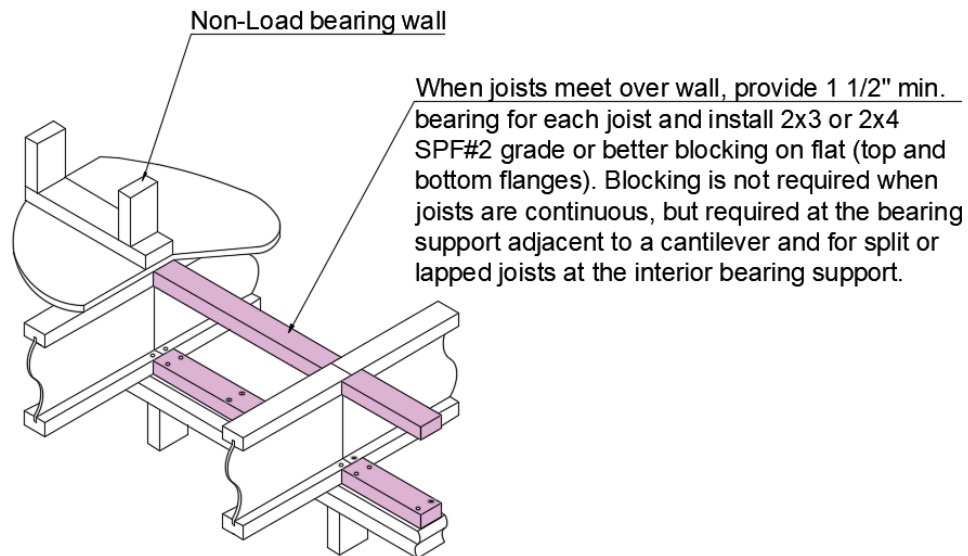
Maximum Factored Vertical Load Transferred by the Blocking:

Joist Depth	Maximum Factored Uniform Load Transferred by the Blocking (PLF)
Up to 16"	3300

Notes:

- Pass-thru framing (e.g., squash blocks) shall be installed for point loads over bearings.
- Detail applicable for residential applications as per NBC – Part 9.
- Toe-nail each end of the blocking’s top flange to the joist’s top flange with (2) 10d common nails (0.148" x 3")
- Nail the blocking’s bottom flange to the wall plate/beam with one row of 8d common nails (0.131" x 2-1/2") at 6" o.c. spacing, or two rows of 8d common nails (0.131" x 2-1/2") at 12" o.c. spacing.

Non-Load Bearing Wall Above:



Notes:

- Pass-thru framing (e.g., squash blocks) shall be installed for point loads over bearings.
- Detail applicable for residential applications as per NBC – Part 9.
- Blocking shown above provides adequate lateral stability for the joists.
- Toe-nail each end of the 2x3 or 2x4 blocking to the joist's top flange with (2) 10d common nails (0.148" x 3").
- Nail the 2x3 or 2x4 blocking to the wall plate/beam with one row of 8d common nails (0.131" x 2-1/2") at 6" o.c. spacing, or with two rows of 8d common nails (0.131" x 2-1/2") at 12" o.c. spacing.