

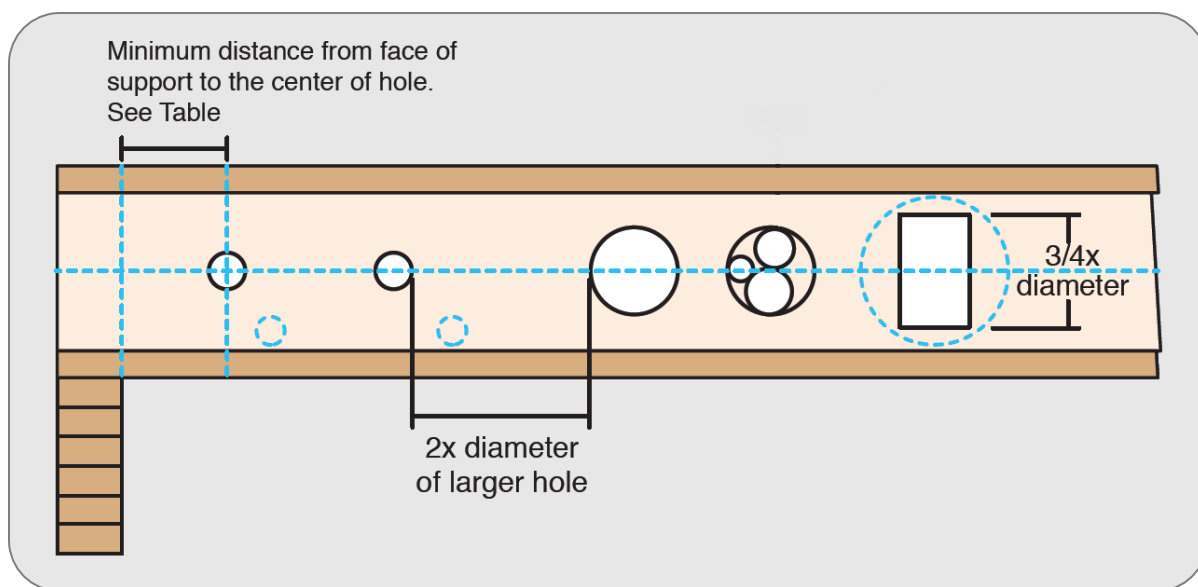
LOCATION OF CIRCULAR HOLES IN PKI JOIST WEBS

Simple Span for Live Loads up to 40 psf and Dead Loads up to 30 psf

Joist Series	Depth (in)	Clear Span (ft)	Minimum Distance from Inside Face of Any Supports to Center of Hole (ft-in)														
			Round Hole Diameter (in.)														
			2	3	4	5	6	6 1/4	7	8	8 5/8	9	10	10 3/4	11	12	12 3/4
PKI15	9 1/2	8	0'-7"	0'-8"	0'-8"												
		12	0'-7"	0'-8"	1'-6"												
	11 7/8	8	0'-7"	0'-8"	0'-8"	0'-9"	0'-9"	0'-10"									
		12	0'-7"	0'-8"	0'-8"	1'-0"	1'-10"	2'-0"									
PKI20	9 1/2	8	0'-7"	0'-8"	0'-8"	0'-9"	0'-9"	0'-10"									
		12	0'-7"	0'-8"	0'-8"	1'-3"	2'-5"	2'-9"									
	11 7/8	10	0'-7"	0'-8"	0'-8"	0'-9"	0'-9"	0'-10"	0'-10"	1'-2"	1'-10"						
		14	0'-7"	0'-8"	0'-8"	0'-9"	1'-1"	1'-5"	2'-3"	3'-4"	4'-2"						
	14	12	0'-7"	0'-8"	0'-8"	0'-9"	0'-9"	0'-10"	0'-10"	0'-10"	0'-11"	1'-3"	2'-4"	3'-2"			
		16	0'-7"	0'-8"	0'-8"	0'-9"	0'-9"	0'-10"	1'-3"	2'-4"	3'-0"	3'-5"	4'-7"	5'-7"			
	16	14	0'-7"	0'-8"	0'-8"	0'-9"	0'-9"	0'-10"	0'-10"	0'-10"	0'-11"	0'-11"	1'-5"	2'-2"	2'-5"	3'-6"	4'-6"
		18	0'-7"	0'-8"	0'-8"	0'-9"	0'-9"	0'-10"	0'-10"	1'-6"	2'-2"	2'-6"	3'-7"	4'-5"	4'-9"	6'-0"	6'-11"
PKI35Plus	9 1/2	6	0'-7"	0'-8"	0'-8"	0'-9"	0'-9"	0'-10"									
		10	0'-7"	0'-8"	0'-8"	0'-9"	1'-4"	1'-8"									
		14	0'-7"	0'-8"	1'-2"	2'-4"	3'-7"	3'-11"									
	11 7/8	12	0'-7"	0'-8"	0'-8"	0'-9"	0'-9"	0'-10"	1'-2"	2'-3"	3'-0"						
		16	0'-7"	0'-8"	0'-8"	1'-1"	2'-2"	2'-6"	3'-4"	4'-7"	5'-5"						
	14	14	0'-7"	0'-8"	0'-8"	0'-9"	0'-9"	0'-10"	0'-10"	1'-3"	1'-11"	2'-4"	3'-5"	4'-4"			
		18	0'-7"	0'-8"	0'-8"	0'-9"	1'-4"	1'-7"	2'-4"	3'-5"	4'-1"	4'-6"	5'-10"	6'-10"			
	16	16	0'-7"	0'-8"	0'-8"	0'-9"	0'-9"	0'-10"	0'-10"	0'-10"	1'-1"	1'-6"	2'-6"	3'-3"	3'-7"	4'-9"	5'-9"
18		0'-7"	0'-8"	0'-8"	0'-9"	0'-9"	0'-10"	0'-10"	1'-6"	2'-2"	2'-6"	3'-7"	4'-5"	4'-9"	6'-0"	6'-11"	
PKI40	9 1/2	10	0'-7"	0'-8"	0'-8"	0'-9"	1'-1"	1'-5"									
		14	0'-7"	0'-8"	0'-9"	2'-0"	3'-3"	3'-8"									
	11 7/8	12	0'-7"	0'-8"	0'-8"	0'-9"	0'-9"	0'-10"	0'-10"	1'-10"	2'-7"						
		16	0'-7"	0'-8"	0'-8"	0'-9"	1'-7"	1'-11"	2'-10"	4'-1"	5'-0"						
	14	14	0'-7"	0'-8"	0'-8"	0'-9"	0'-9"	0'-10"	0'-10"	0'-10"	1'-3"	1'-8"	2'-11"	3'-11"			
		18	0'-7"	0'-8"	0'-8"	0'-9"	0'-9"	0'-10"	1'-6"	2'-8"	3'-5"	3'-11"	5'-3"	6'-4"			
16	16	0'-7"	0'-8"	0'-8"	0'-9"	0'-9"	0'-10"	0'-10"	0'-10"	0'-11"	0'-11"	1'-8"	2'-7"	2'-10"	4'-1"	5'-2"	
	20	0'-7"	0'-8"	0'-8"	0'-9"	0'-9"	0'-10"	0'-10"	1'-6"	2'-3"	2'-8"	3'-10"	4'-9"	5'-1"	6'-7"	7'-7"	
PKI50	11 7/8	12	0'-7"	0'-8"	0'-8"	0'-9"	0'-9"	0'-10"	0'-10"	0'-10"	1'-4"						
		16	0'-7"	0'-8"	0'-8"	0'-9"	0'-9"	0'-10"	1'-0"	2'-6"	3'-7"						
	14	14	0'-7"	0'-8"	0'-8"	0'-9"	0'-9"	0'-10"	0'-10"	0'-10"	0'-11"	0'-11"	1'-10"	2'-11"			
		18	0'-7"	0'-8"	0'-8"	0'-9"	0'-9"	0'-10"	0'-10"	1'-2"	2'-0"	2'-7"	4'-1"	5'-4"			
	16	16	0'-7"	0'-8"	0'-8"	0'-9"	0'-9"	0'-10"	0'-10"	0'-10"	0'-11"	0'-11"	0'-11"	1'-8"	2'-0"	3'-5"	4'-6"
20		0'-7"	0'-8"	0'-8"	0'-9"	0'-9"	0'-10"	0'-10"	0'-10"	1'-1"	1'-6"	2'-10"	3'-10"	4'-3"	5'-9"	6'-11"	

Notes:

1. Distances in above chart are valid for continuous span and for floor joists supporting only uniform loads indicated above.
2. Table may be used for I-joist spacing of 24 inches on center or less.
3. Hole location distance is measured from inside face of supports to center of hole.
4. Joists with web hole locations and/or sizes fall outside of the scope of this table must be analyzed based on the actual hole size, joist spacing, span and load conditions.
5. If a rectangular hole is required, the rectangle hole must fit inside the maximum allowed round hole at the same location. See figure below for illustration.
6. Cutting of a web hole also needs to follow the Web Hole Specifications of PKI Joist.



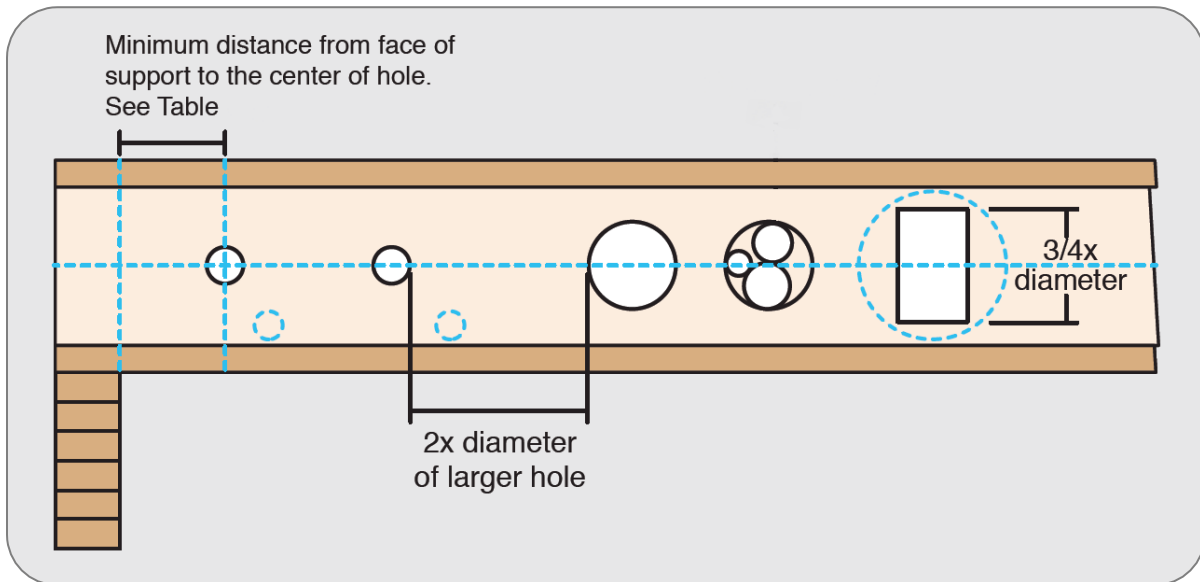
LOCATION OF CIRCULAR HOLES IN PKI JOIST WEBS

Multiple Span for Live Loads up to 40 psf and Dead Loads up to 30 psf

Joist Series	Depth (in)	Clear Span (ft)	Minimum Distance from Inside Face of Any Supports to Center of Hole (ft-in)														
			Round Hole Diameter (in.)														
			2	3	4	5	6	6 1/4	7	8	8 5/8	9	10	10 3/4	11	12	12 3/4
PKI15	9 1/2	6	0'-7"	0'-8"	0'-8"												
		8	0'-7"	0'-8"	0'-8"												
	11 7/8	8	0'-7"	0'-8"	0'-8"	0'-9"	0'-9"	0'-10"									
		10	0'-7"	0'-8"	0'-8"	1'-2"	1'-10"	2'-1"									
PKI20	9 1/2	8	0'-7"	0'-8"	0'-8"	0'-9"	1'-2"	1'-5"									
		12	0'-7"	0'-8"	1'-7"	2'-7"	3'-8"	4'-0"									
	11 7/8	10	0'-7"	0'-8"	0'-8"	0'-9"	0'-9"	0'-10"	1'-3"	2'-3"	2'-11"						
		14	0'-7"	0'-8"	0'-9"	1'-9"	2'-9"	3'-0"	3'-9"	4'-9"	6'-2"						
	14	12	0'-7"	0'-8"	0'-8"	0'-9"	0'-9"	0'-10"	0'-10"	1'-7"	2'-2"	2'-7"	3'-6"	4'-3"			
		16	0'-7"	0'-8"	0'-8"	1'-2"	2'-2"	2'-5"	3'-2"	4'-1"	4'-9"	5'-1"	6'-1"	7'-9"			
	16	14	0'-7"	0'-8"	0'-8"	0'-9"	0'-9"	0'-10"	0'-10"	1'-1"	1'-8"	2'-1"	3'-0"	3'-8"	3'-11"	4'-11"	6'-5"
		18	0'-7"	0'-8"	0'-8"	0'-9"	1'-9"	2'-0"	2'-8"	3'-7"	4'-3"	4'-7"	5'-6"	6'-1"	6'-6"	8'-5"	9'-3"
PKI35Plus	9 1/2	10	0'-7"	0'-8"	0'-8"	1'-4"	2'-5"	2'-8"									
		14	0'-8"	1'-9"	2'-10"	3'-10"	4'-11"	5'-3"									
	11 7/8	12	0'-7"	0'-8"	0'-8"	0'-9"	1'-6"	1'-9"	2'-6"	3'-6"	4'-2"						
		14	0'-7"	0'-8"	0'-8"	1'-9"	2'-9"	3'-0"	3'-9"	4'-9"	5'-5"						
	14	14	0'-7"	0'-8"	0'-8"	0'-9"	0'-11"	1'-2"	1'-10"	2'-10"	3'-5"	3'-10"	4'-9"	6'-4"			
		16	0'-7"	0'-8"	0'-8"	1'-2"	2'-2"	2'-5"	3'-2"	4'-1"	4'-8"	5'-1"	6'-0"	7'-9"			
	16	16	0'-7"	0'-8"	0'-8"	0'-9"	0'-9"	0'-10"	1'-5"	2'-4"	2'-11"	3'-3"	4'-3"	4'-11"	5'-2"	7'-0"	7'-10"
		18	0'-7"	0'-8"	0'-8"	0'-9"	1'-9"	1'-11"	2'-8"	3'-7"	4'-2"	4'-7"	5'-6"	6'-2"	6'-5"	8'-5"	9'-3"
PKI40	9 1/2	12	0'-7"	0'-8"	1'-2"	2'-3"	3'-5"	3'-8"									
		16	1'-4"	2'-6"	3'-8"	4'-10"	5'-11"	7'-1"									
	11 7/8	14	0'-7"	0'-8"	0'-8"	1'-0"	2'-2"	2'-5"	3'-3"	4'-4"	5'-10"						
		18	0'-7"	1'-4"	2'-5"	3'-7"	4'-8"	4'-11"	5'-9"	6'-11"	8'-8"						
	14	16	0'-7"	0'-8"	0'-8"	0'-9"	1'-3"	1'-6"	2'-4"	3'-5"	4'-1"	4'-6"	5'-7"	6'-4"			
		20	0'-7"	0'-8"	1'-7"	2'-8"	3'-9"	4'-0"	4'-10"	5'-11"	6'-7"	7'-0"	9'-2"	10'-1"			
16	18	0'-7"	0'-8"	0'-8"	0'-9"	0'-9"	0'-10"	1'-6"	2'-7"	3'-3"	3'-8"	4'-9"	5'-6"	5'-9"	6'-10"	8'-9"	
	22	0'-7"	0'-8"	0'-10"	1'-11"	2'-11"	3'-3"	4'-0"	5'-1"	5'-9"	6'-2"	7'-3"	8'-0"	8'-4"	10'-9"	11'-7"	
PKI50	11 7/8	14	0'-7"	0'-8"	0'-8"	0'-9"	0'-9"	0'-10"	1'-7"	3'-0"	3'-11"						
		18	0'-7"	0'-8"	0'-8"	1'-2"	2'-7"	3'-0"	4'-1"	5'-6"	6'-5"						
	14	16	0'-7"	0'-8"	0'-8"	0'-9"	0'-9"	0'-10"	0'-10"	2'-0"	2'-10"	3'-3"	4'-7"	5'-7"			
		20	0'-7"	0'-8"	0'-8"	0'-9"	1'-10"	2'-2"	3'-2"	4'-6"	5'-4"	5'-10"	7'-2"	8'-1"			
	16	18	0'-7"	0'-8"	0'-8"	0'-9"	0'-9"	0'-10"	0'-10"	1'-4"	2'-2"	2'-7"	3'-10"	4'-9"	5'-0"	6'-3"	8'-2"
		22	0'-7"	0'-8"	0'-8"	0'-9"	1'-5"	1'-9"	2'-8"	3'-11"	4'-8"	5'-1"	6'-4"	7'-3"	7'-7"	8'-9"	11'-1"

Notes:

1. Distances in above chart are valid for continuous span and for floor joists supporting only uniform loads indicated above.
2. Table may be used for I-joist spacing of 24 inches on center or less.
3. Hole location distance is measured from inside face of supports to center of hole.
4. Joists with web hole locations and/or sizes fall outside of the scope of this table must be analyzed based on the actual hole size, joist spacing, span and load conditions.
5. If a rectangular hole is required, the rectangle hole must fit inside the maximum allowed round hole at the same location. See figure below for illustration.
6. Cutting of a web hole also needs to follow the Web Hole Specifications of PKI Joist.



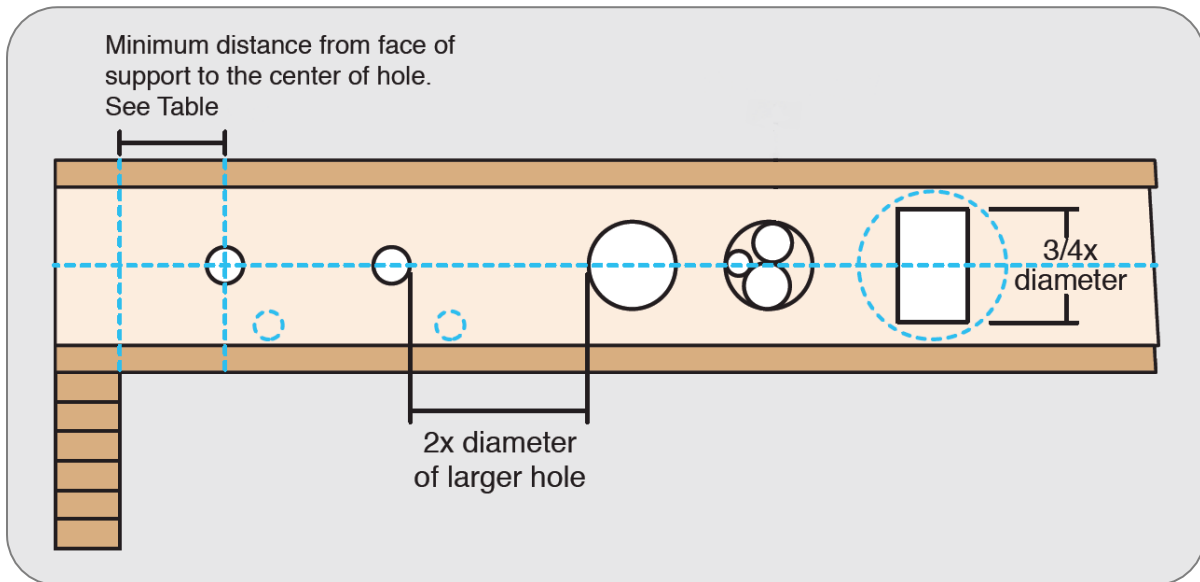
LOCATION OF CIRCULAR HOLES IN PKI JOIST WEBS

Simple Span for Live Loads up to 40 psf and Dead Loads up to 40 psf

Joist Series	Depth (in)	Clear Span (ft)	Minimum Distance from Inside Face of Any Supports to Center of Hole (ft-in)														
			Round Hole Diameter (in.)														
			2	3	4	5	6	6 1/4	7	8	8 5/8	9	10	10 3/4	11	12	12 3/4
PKI15	9 1/2	6	0'-7"	0'-8"	0'-8"												
		10	0'-7"	0'-8"	1'-2"												
	11 7/8	8	0'-7"	0'-8"	0'-8"	0'-9"	0'-9"	0'-10"									
		12	0'-7"	0'-8"	1'-1"	1'-10"	2'-7"	2'-9"									
PKI20	9 1/2	8	0'-7"	0'-8"	0'-8"	0'-9"	0'-10"	1'-1"									
		12	0'-7"	0'-8"	0'-11"	2'-0"	3'-2"	3'-6"									
	11 7/8	10	0'-7"	0'-8"	0'-8"	0'-9"	0'-9"	0'-10"	0'-10"	1'-10"	2'-7"						
		12	0'-7"	0'-8"	0'-8"	0'-9"	0'-11"	1'-2"	1'-11"	3'-0"	3'-8"						
	14	12	0'-7"	0'-8"	0'-8"	0'-9"	0'-9"	0'-10"	0'-10"	1'-0"	1'-8"	2'-0"	3'-1"	3'-10"			
		16	0'-7"	0'-8"	0'-8"	0'-9"	1'-4"	1'-7"	2'-4"	3'-4"	4'-0"	4'-4"	5'-5"	6'-3"			
	16	12	0'-7"	0'-8"	0'-8"	0'-9"	0'-9"	0'-10"	0'-10"	0'-10"	0'-11"	0'-11"	1'-2"	1'-11"	2'-2"	3'-2"	3'-11"
		16	0'-7"	0'-8"	0'-8"	0'-9"	0'-9"	0'-10"	0'-10"	1'-6"	2'-1"	2'-6"	3'-6"	4'-4"	4'-6"	5'-6"	6'-4"
PKI35Plus	9 1/2	6	0'-7"	0'-8"	0'-8"	0'-9"	0'-9"	0'-10"									
		10	0'-7"	0'-8"	0'-8"	0'-10"	2'-0"	2'-3"									
		14	0'-7"	1'-0"	2'-1"	3'-3"	4'-4"	4'-8"									
	11 7/8	12	0'-7"	0'-8"	0'-8"	1'-0"	2'-1"	2'-4"	3'-1"	4'-2"	4'-11"						
		16	0'-7"	0'-8"	3'-1"	3'-1"	3'-2"	3'-6"	4'-3"	5'-4"	6'-1"						
	14	14	0'-7"	0'-8"	0'-8"	0'-9"	0'-9"	0'-10"	1'-2"	2'-2"	2'-10"	3'-2"	4'-3"	5'-0"			
		16	0'-7"	0'-8"	0'-8"	0'-9"	1'-4"	1'-7"	2'-4"	3'-4"	4'-0"	4'-4"	5'-5"	6'-3"			
	16	16	0'-7"	0'-8"	0'-8"	0'-9"	0'-10"	0'-10"	0'-10"	1'-6"	2'-1"	2'-7"	3'-6"	4'-3"	4'-6"	5'-6"	6'-4"
18		0'-7"	0'-8"	0'-8"	0'-9"	0'-9"	1'-1"	1'-8"	2'-9"	3'-4"	3'-8"	4'-8"	5'-5"	5'-8"	6'-8"	7'-6"	
PKI40	9 1/2	10	0'-7"	0'-8"	0'-8"	0'-9"	1'-9"	2'-0"									
		14	0'-7"	0'-8"	1'-8"	2'-11"	4'-1"	4'-5"									
	11 7/8	12	0'-7"	0'-8"	0'-8"	0'-9"	0'-9"	0'-10"	1'-5"	2'-7"	3'-4"						
		16	0'-7"	0'-8"	0'-8"	1'-6"	2'-7"	2'-11"	3'-9"	5'-0"	5'-9"						
	14	14	0'-7"	0'-8"	0'-8"	0'-9"	0'-9"	0'-10"	0'-10"	1'-6"	2'-2"	2'-7"	3'-9"	4'-7"			
		18	0'-7"	0'-8"	0'-8"	0'-9"	1'-7"	1'-10"	2'-8"	3'-9"	4'-7"	4'-11"	6'-1"	7'-2"			
16	16	0'-7"	0'-8"	0'-8"	0'-9"	0'-9"	0'-10"	0'-10"	1'-8"	2'-4"	2'-9"	3'-10"	4'-9"	5'-0"	6'-3"	7'-1"	
	20	0'-7"	0'-8"	0'-8"	0'-9"	0'-9"	0'-11"	1'-9"	2'-9"	3'-6"	3'-11"	5'-0"	5'-11"	6'-2"	7'-4"	8'-3"	
PKI50	11 7/8	12	0'-7"	0'-8"	0'-8"	0'-9"	0'-9"	0'-10"	0'-10"	1'-3"	2'-2"						
		16	0'-7"	0'-8"	0'-8"	0'-9"	0'-9"	0'-11"	2'-0"	3'-7"	4'-6"						
	14	14	0'-7"	0'-8"	0'-8"	0'-9"	0'-9"	0'-10"	0'-10"	0'-10"	0'-11"	1'-5"	2'-9"	3'-9"			
		18	0'-7"	0'-8"	0'-8"	0'-9"	0'-9"	0'-10"	0'-11"	2'-4"	3'-3"	3'-8"	5'-1"	6'-2"			
	16	16	0'-7"	0'-8"	0'-8"	0'-9"	0'-9"	0'-10"	0'-10"	0'-10"	0'-11"	0'-11"	1'-10"	2'-9"	3'-1"	4'-4"	5'-4"
		20	0'-7"	0'-8"	0'-8"	0'-9"	0'-9"	0'-10"	0'-10"	1'-7"	2'-5"	2'-11"	4'-1"	5'-1"	5'-5"	6'-9"	7'-9"

Notes:

1. Distances in above chart are valid for continuous span and for floor joists supporting only uniform loads indicated above.
2. Table may be used for I-joist spacing of 24 inches on center or less.
3. Hole location distance is measured from inside face of supports to center of hole.
4. Joists with web hole locations and/or sizes fall outside of the scope of this table must be analyzed based on the actual hole size, joist spacing, span and load conditions.
5. If a rectangular hole is required, the rectangle hole must fit inside the maximum allowed round hole at the same location. See figure below for illustration.
6. Cutting of a web hole also needs to follow the Web Hole Specifications of PKI Joist.



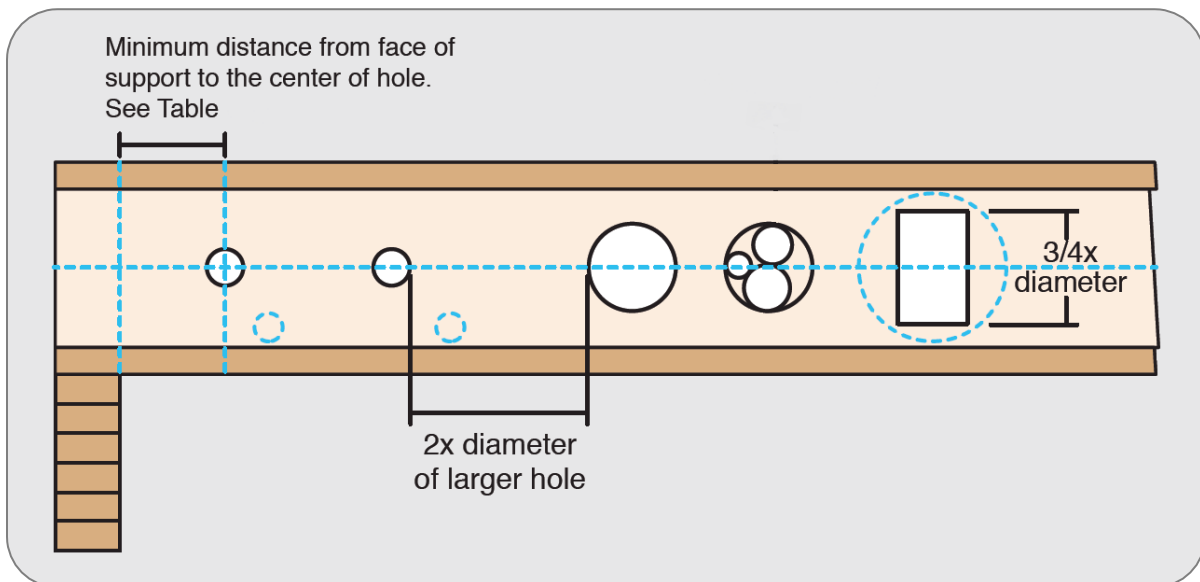
LOCATION OF CIRCULAR HOLES IN PKI JOIST WEBS

Multiple Span for Live Loads up to 40 psf and Dead Loads up to 40 psf

Joist Series	Depth (in)	Clear Span (ft)	Minimum Distance from Inside Face of Any Supports to Center of Hole (ft-in)														
			Round Hole Diameter (in.)														
			2	3	4	5	6	6 1/4	7	8	8 5/8	9	10	10 3/4	11	12	12 3/4
PKI15	9 1/2	6	0'-7"	0'-8"	0'-8"												
		8	0'-7"	0'-8"	0'-11"												
	11 7/8	8	0'-7"	0'-8"	0'-8"	0'-9"	1'-1"	1'-3"									
		10	0'-7"	0'-8"	1'-1"	1'-9"	2'-4"	2'-6"									
PKI20	9 1/2	8	0'-7"	0'-8"	0'-8"	0'-9"	1'-7"	1'-10"									
		12	0'-7"	1'-3"	2'-3"	3'-2"	4'-1"	4'-4"									
	11 7/8	10	0'-7"	0'-8"	0'-8"	0'-9"	0'-11"	1'-1"	1'-10"	2'-8"	3'-3"						
		12	0'-7"	0'-8"	0'-8"	1'-3"	2'-2"	2'-5"	3'-1"	3'-11"	4'-6"						
	14	12	0'-7"	0'-8"	0'-8"	0'-9"	0'-9"	0'-10"	1'-5"	2'-3"	2'-9"	3'-1"	4'-0"	4'-7"			
		14	9'-0"	9'-0"	9'-0"	9'-0"	9'-0"	9'-0"	9'-0"	9'-0"	9'-0"	9'-0"	9'-0"	9'-0"			
	16	12	0'-7"	0'-8"	0'-8"	0'-9"	0'-9"	0'-10"	0'-10"	0'-10"	1'-3"	1'-6"	2'-4"	3'-0"	3'-3"	4'-1"	5'-8"
		16	0'-7"	0'-8"	0'-8"	0'-9"	1'-7"	1'-9"	2'-5"	3'-3"	3'-9"	4'-1"	4'-11"	5'-6"	5'-9"	7'-9"	8'-5"
PKI35Plus	9 1/2	8	0'-7"	0'-8"	0'-8"	0'-9"	1'-7"	1'-10"									
		12	0'-7"	1'-3"	2'-2"	3'-2"	4'-1"	4'-4"									
	11 7/8	12	0'-7"	0'-8"	0'-8"	1'-3"	2'-2"	2'-4"	3'-0"	3'-11"	4'-6"						
		14	0'-7"	0'-9"	1'-7"	2'-6"	3'-5"	3'-8"	4'-3"	5'-2"	6'-10"						
	14	12	0'-7"	0'-8"	0'-8"	0'-9"	0'-9"	0'-10"	1'-4"	2'-3"	2'-9"	3'-1"	3'-11"	4'-7"			
		14	0'-7"	0'-8"	0'-8"	0'-11"	1'-9"	2'-0"	2'-8"	3'-6"	4'-0"	4'-4"	6'-4"	6'-11"			
	16	14	0'-7"	0'-8"	0'-8"	0'-9"	0'-9"	0'-10"	1'-1"	1'-11"	2'-6"	2'-9"	3'-7"	4'-3"	4'-5"	5'-4"	7'-0"
		16	0'-7"	0'-8"	0'-8"	0'-9"	1'-6"	1'-9"	2'-4"	3'-2"	3'-9"	4'-1"	4'-11"	5'-6"	5'-9"	7'-9"	8'-5"
PKI40	9 1/2	10	0'-7"	0'-8"	0'-8"	1'-7"	2'-7"	2'-10"									
		14	1'-1"	2'-1"	3'-1"	4'-1"	5'-2"	6'-5"									
	11 7/8	12	0'-7"	0'-8"	0'-8"	0'-9"	1'-7"	1'-10"	2'-7"	3'-7"	4'-2"						
		16	0'-7"	1'-2"	2'-2"	3'-2"	4'-2"	4'-5"	5'-1"	6'-1"	7'-11"						
	14	14	0'-7"	0'-8"	0'-8"	0'-9"	0'-11"	1'-2"	1'-11"	2'-10"	3'-5"	3'-10"	4'-9"	6'-7"			
		18	0'-7"	0'-8"	1'-6"	2'-6"	3'-6"	3'-8"	4'-5"	5'-5"	6'-0"	6'-4"	8'-8"	9'-5"			
16	16	0'-7"	0'-8"	0'-8"	0'-9"	0'-9"	0'-10"	1'-4"	2'-3"	2'-10"	3'-3"	4'-2"	4'-11"	5'-1"	6'-1"	8'-0"	
	20	0'-7"	0'-8"	1'-0"	2'-0"	2'-11"	3'-2"	3'-10"	4'-10"	5'-5"	5'-9"	6'-8"	7'-5"	7'-8"	10'-2"	10'-10"	
PKI50	11 7/8	12	0'-7"	0'-8"	0'-8"	0'-9"	0'-9"	0'-10"	1'-1"	2'-5"	3'-2"						
		16	0'-7"	0'-8"	0'-8"	1'-0"	2'-4"	2'-8"	3'-7"	4'-11"	5'-9"						
	14	14	0'-7"	0'-8"	0'-8"	0'-9"	0'-9"	0'-10"	0'-10"	1'-7"	2'-4"	2'-9"	3'-11"	4'-10"			
		18	0'-7"	0'-8"	0'-8"	0'-9"	1'-10"	2'-1"	3'-0"	4'-2"	4'-10"	5'-4"	6'-6"	8'-9"			
	16	16	0'-7"	0'-8"	0'-8"	0'-9"	0'-9"	0'-10"	0'-10"	1'-2"	1'-11"	2'-3"	3'-4"	4'-2"	4'-5"	5'-9"	7'-7"
20		0'-7"	0'-8"	0'-8"	0'-9"	1'-7"	1'-10"	2'-8"	3'-9"	4'-5"	4'-10"	5'-11"	6'-9"	7'-0"	8'-1"	10'-5"	

Notes:

1. Distances in above chart are valid for continuous span and for floor joists supporting only uniform loads indicated above.
2. Table may be used for I-joist spacing of 24 inches on center or less.
3. Hole location distance is measured from inside face of supports to center of hole.
4. Joists with web hole locations and/or sizes fall outside of the scope of this table must be analyzed based on the actual hole size, joist spacing, span and load conditions.
5. If a rectangular hole is required, the rectangle hole must fit inside the maximum allowed round hole at the same location. See figure below for illustration.
6. Cutting of a web hole also needs to follow the Web Hole Specifications of PKI Joist.



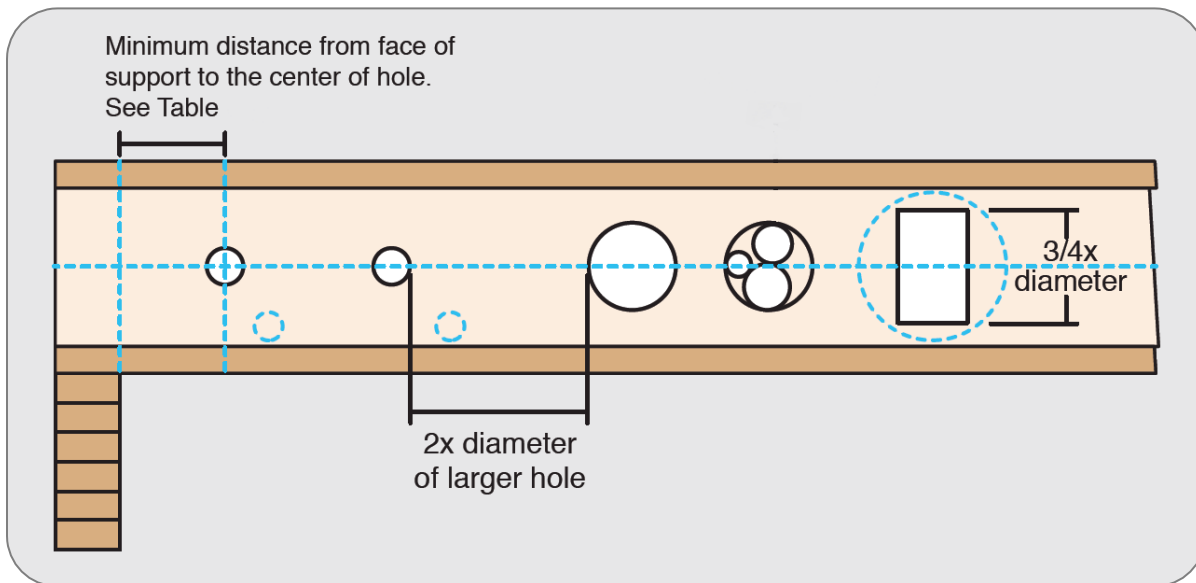
LOCATION OF CIRCULAR HOLES IN PKI JOIST WEBS

Simple Span for Live Loads up to 100 psf and Dead Loads up to 30 psf

Joist Series	Depth (in)	Clear Span (ft)	Minimum Distance from Inside Face of Any Supports to Center of Hole (ft-in)														
			Round Hole Diameter (in.)														
			2	3	4	5	6	6 1/4	7	8	8 5/8	9	10	10 3/4	11	12	12 3/4
PKI15	9 1/2	6	0'-7"	0'-8"	0'-8"												
	11 7/8	6	0'-7"	0'-8"	1'-1"	1'-6"	2'-0"	2'-1"									
PKI20	9 1/2	6	0'-7"	0'-8"	0'-8"	0'-9"	1'-2"	1'-4"									
		8	0'-7"	0'-8"	1'-0"	1'-8"	2'-4"	2'-7"									
	11 7/8	8	0'-7"	0'-8"	0'-8"	0'-9"	1'-0"	1'-2"	1'-7"	2'-3"	2'-8"						
		10	0'-7"	0'-8"	0'-11"	1'-6"	2'-2"	2'-3"	2'-9"	3'-6"	3'-11"						
	14	10	0'-7"	0'-8"	0'-8"	0'-9"	1'-1"	1'-2"	1'-7"	2'-3"	2'-7"	2'-10"	3'-6"	4'-1"			
		12	0'-7"	0'-8"	1'-0"	1'-7"	2'-2"	2'-4"	2'-9"	3'-5"	3'-10"	4'-1"	4'-9"	5'-4"			
	16	10	0'-7"	0'-8"	0'-8"	0'-9"	0'-9"	0'-10"	0'-10"	1'-2"	1'-6"	1'-9"	2'-4"	2'-9"	2'-11"	3'-7"	4'-1"
		12	0'-7"	0'-8"	0'-8"	0'-9"	1'-2"	1'-4"	1'-9"	2'-3"	2'-8"	2'-11"	3'-6"	4'-0"	4'-2"	4'-10"	5'-5"
PKI35Plus	9 1/2	6	0'-7"	0'-8"	0'-8"	0'-9"	1'-2"	1'-4"									
		8	0'-7"	0'-8"	1'-0"	1'-8"	2'-4"	2'-7"									
	11 7/8	8	0'-7"	0'-8"	0'-8"	0'-9"	1'-0"	1'-2"	1'-7"	2'-3"	2'-8"						
		10	0'-7"	0'-8"	0'-11"	1'-6"	2'-2"	2'-3"	2'-9"	3'-6"	3'-11"						
	14	10	0'-7"	0'-8"	0'-8"	0'-9"	1'-1"	1'-2"	1'-7"	2'-3"	2'-7"	2'-10"	3'-6"	4'-1"			
		12	0'-7"	0'-8"	1'-0"	1'-7"	2'-2"	2'-4"	2'-9"	3'-5"	3'-10"	4'-1"	4'-9"	5'-4"			
	16	12	0'-7"	0'-8"	0'-8"	0'-9"	1'-2"	1'-4"	1'-9"	2'-3"	2'-8"	2'-11"	3'-6"	4'-0"	4'-2"	4'-10"	5'-5"
		14	0'-7"	0'-8"	1'-2"	1'-9"	2'-3"	2'-5"	2'-10"	3'-5"	3'-10"	4'-1"	4'-9"	5'-3"	5'-5"	6'-2"	6'-9"
PKI40	9 1/2	8	0'-7"	0'-8"	0'-10"	1'-6"	2'-2"	2'-5"									
		10	0'-7"	1'-3"	1'-11"	2'-8"	3'-5"	3'-8"									
	11 7/8	10	0'-7"	0'-8"	0'-8"	1'-2"	1'-9"	1'-11"	2'-6"	3'-3"	3'-9"						
		12	0'-7"	1'-0"	1'-7"	2'-3"	2'-11"	3'-2"	3'-8"	4'-6"	5'-0"						
	14	12	0'-7"	0'-8"	0'-8"	1'-0"	1'-7"	1'-9"	2'-3"	2'-11"	3'-5"	3'-8"	4'-5"	5'-1"			
		14	0'-7"	0'-10"	1'-6"	2'-1"	2'-9"	2'-11"	3'-5"	4'-2"	4'-7"	4'-11"	5'-9"	6'-4"			
	16	14	0'-7"	0'-8"	0'-8"	0'-11"	1'-7"	1'-8"	2'-2"	2'-10"	3'-3"	3'-6"	4'-3"	4'-9"	5'-0"	5'-9"	6'-5"
		16	0'-7"	0'-9"	1'-5"	2'-0"	2'-8"	2'-10"	3'-4"	4'-0"	4'-5"	4'-8"	5'-5"	6'-0"	6'-3"	7'-1"	7'-9"
PKI50	11 7/8	12	0'-7"	0'-8"	0'-8"	0'-10"	1'-8"	1'-11"	2'-7"	3'-6"	4'-2"						
		14	0'-7"	0'-8"	1'-1"	1'-11"	2'-10"	3'-1"	3'-9"	4'-9"	5'-5"						
	14	14	0'-7"	0'-8"	0'-8"	0'-11"	1'-8"	1'-10"	2'-5"	3'-3"	3'-9"	4'-1"	5'-0"	5'-9"			
		16	0'-7"	0'-8"	1'-3"	2'-0"	2'-9"	2'-11"	3'-7"	4'-5"	5'-0"	5'-4"	6'-3"	7'-1"			
	16	16	0'-7"	0'-8"	0'-8"	1'-1"	1'-9"	1'-11"	2'-6"	3'-3"	3'-8"	4'-0"	4'-10"	5'-5"	5'-8"	6'-7"	7'-4"

Notes:

1. Distances in above chart are valid for continuous span and for floor joists supporting only uniform loads indicated above.
2. Table may be used for I-joist spacing of 24 inches on center or less.
3. Hole location distance is measured from inside face of supports to center of hole.
4. Joists with web hole locations and/or sizes fall outside of the scope of this table must be analyzed based on the actual hole size, joist spacing, span and load conditions.
5. If a rectangular hole is required, the rectangle hole must fit inside the maximum allowed round hole at the same location. See figure below for illustration.
6. Cutting of a web hole also needs to follow the Web Hole Specifications of PKI Joist.



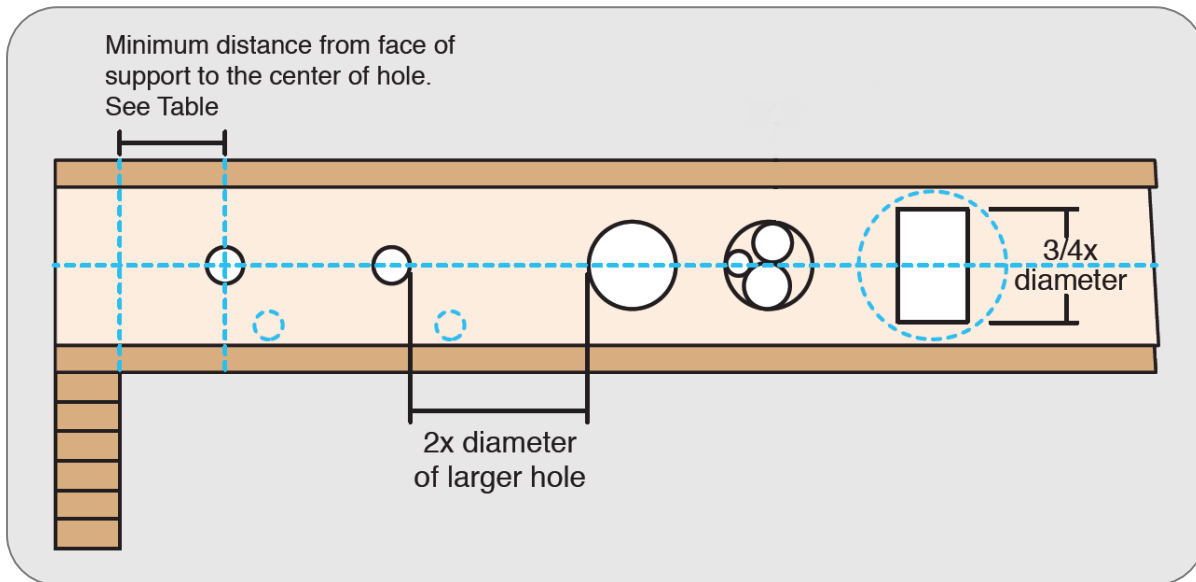
LOCATION OF CIRCULAR HOLES IN PKI JOIST WEBS

Multiple Span for Live Loads up to 100 psf and Dead Loads up to 30 psf

Joist Series	Depth (in)	Clear Span (ft)	Minimum Distance from Inside Face of Any Supports to Center of Hole (ft-in)														
			Round Hole Diameter (in.)														
			2	3	4	5	6	6 1/4	7	8	8 5/8	9	10	10 3/4	11	12	12 3/4
PKI15	9 1/2	4	0'-7"	0'-8"	0'-8"												
	11 7/8	5	0'-7"	0'-8"	0'-8"	0'-9"	0'-11"	1'-0"									
PKI20	9 1/2	6	0'-7"	0'-8"	0'-9"	1'-4"	1'-10"	1'-11"									
	11 7/8	8	0'-7"	0'-8"	1'-0"	1'-6"	2'-0"	2'-1"	2'-6"	3'-0"	3'-6"						
	14	8	0'-7"	0'-8"	0'-8"	0'-9"	0'-10"	1'-0"	1'-4"	1'-10"	2'-2"	2'-4"	2'-10"	3'-4"			
	16	9	0'-7"	0'-8"	0'-8"	0'-9"	0'-9"	0'-10"	1'-1"	1'-7"	1'-10"	2'-1"	2'-7"	2'-11"	3'-0"	3'-7"	4'-1"
PKI35Plus	9 1/2	6	0'-7"	0'-8"	0'-8"	1'-1"	1'-8"	1'-10"									
	11 7/8	8	0'-7"	0'-8"	0'-9"	1'-3"	1'-9"	1'-11"	2'-4"	2'-10"	3'-2"						
	14	8	0'-7"	0'-8"	0'-8"	0'-9"	0'-10"	0'-11"	1'-4"	1'-10"	2'-2"	2'-4"	2'-10"	3'-3"			
	16	9	0'-7"	0'-8"	0'-8"	0'-9"	0'-9"	0'-10"	1'-1"	1'-6"	1'-10"	2'-0"	2'-6"	2'-11"	3'-0"	3'-6"	4'-1"
PKI40	9 1/2	8	0'-7"	1'-0"	1'-7"	2'-2"	2'-10"	2'-11"									
	11 7/8	10	0'-7"	1'-0"	1'-7"	2'-2"	2'-9"	2'-10"	3'-4"	3'-11"	4'-5"						
	14	11	0'-7"	0'-8"	1'-1"	1'-8"	2'-2"	2'-4"	2'-9"	3'-4"	3'-8"	3'-11"	4'-6"	5'-2"			
	16	12	0'-7"	0'-8"	0'-8"	1'-2"	1'-9"	1'-11"	2'-4"	2'-11"	3'-3"	3'-5"	4'-0"	4'-5"	4'-7"	5'-4"	5'-11"
PKI50	11 7/8	11	0'-7"	0'-8"	0'-9"	1'-6"	2'-4"	2'-6"	3'-1"	3'-10"	4'-3"						
	14	12	0'-7"	0'-8"	0'-8"	1'-2"	1'-10"	2'-0"	2'-7"	3'-3"	3'-8"	3'-11"	4'-7"	5'-4"			
	16	13	0'-7"	0'-8"	0'-8"	1'-0"	1'-7"	1'-9"	2'-3"	2'-11"	3'-3"	3'-6"	4'-2"	4'-8"	4'-9"	5'-7"	6'-4"

Notes:

1. Distances in above chart are valid for continuous span and for floor joists supporting only uniform loads indicated above.
2. Table may be used for I-joist spacing of 24 inches on center or less.
3. Hole location distance is measured from inside face of supports to center of hole.
4. Joists with web hole locations and/or sizes fall outside of the scope of this table must be analyzed based on the actual hole size, joist spacing, span and load conditions.
5. If a rectangular hole is required, the rectangle hole must fit inside the maximum allowed round hole at the same location. See figure below for illustration.
6. Cutting of a web hole also needs to follow the Web Hole Specifications of PKI Joist.



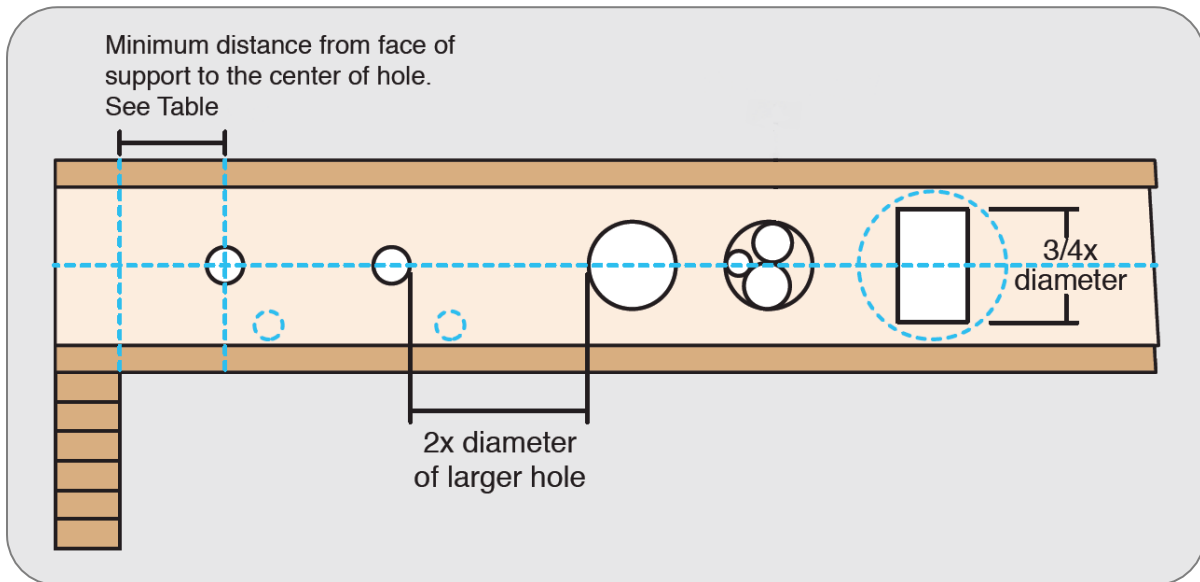
LOCATION OF CIRCULAR HOLES IN PKI JOIST WEBS

Simple Span for Live Loads up to 100 psf and Dead Loads up to 40 psf

Joist Series	Depth (in)	Clear Span (ft)	Minimum Distance from Inside Face of Any Supports to Center of Hole (ft-in)														
			Round Hole Diameter (in.)														
			2	3	4	5	6	6 1/4	7	8	8 5/8	9	10	10 3/4	11	12	
PKI15	9 1/2	6	0'-7"	0'-8"	0'-10"												
	11 7/8	6	0'-7"	0'-8"	0'-8"	0'-9"	1'-0"	1'-1"									
PKI20	9 1/2	6	0'-7"	0'-8"	0'-8"	0'-9"	1'-4"	1'-6"									
		8	0'-7"	0'-8"	1'-3"	1'-10"	2'-6"	2'-8"									
	11 7/8	8	0'-7"	0'-8"	0'-8"	0'-9"	1'-3"	1'-4"	1'-9"	2'-5"	2'-10"						
		10	0'-7"	0'-8"	1'-3"	1'-9"	2'-4"	2'-6"	3'-0"	3'-7"	4'-1"						
	14	8	0'-7"	0'-8"	0'-8"	0'-9"	0'-9"	0'-10"	0'-10"	1'-3"	1'-7"	1'-10"	2'-5"	2'-11"			
		10	0'-7"	0'-8"	0'-8"	0'-10"	1'-4"	1'-5"	1'-10"	2'-5"	2'-9"	3'-0"	3'-8"	4'-2"			
	16	10	0'-7"	0'-8"	0'-8"	0'-9"	0'-9"	0'-10"	0'-11"	1'-5"	1'-8"	2'-0"	2'-6"	2'-11"	3'-1"	3'-9"	4'-2"
		12	0'-7"	0'-8"	0'-8"	1'-0"	1'-6"	1'-8"	2'-0"	2'-7"	2'-11"	3'-1"	3'-8"	4'-2"	4'-4"	5'-0"	5'-6"
PKI35Plus	9 1/2	6	0'-7"	0'-8"	0'-8"	0'-9"	1'-4"	1'-6"									
		8	0'-7"	0'-8"	1'-3"	1'-10"	2'-6"	2'-8"									
	11 7/8	8	0'-7"	0'-8"	0'-8"	0'-9"	1'-3"	1'-4"	1'-9"	2'-5"	2'-10"						
		10	0'-7"	0'-8"	1'-3"	1'-9"	2'-4"	2'-6"	3'-0"	3'-7"	4'-1"						
	14	10	0'-7"	0'-8"	0'-8"	0'-10"	1'-4"	1'-5"	1'-10"	2'-5"	2'-9"	3'-0"	3'-8"	4'-2"			
		12	0'-7"	0'-10"	1'-4"	1'-11"	2'-5"	2'-7"	3'-0"	3'-7"	4'-0"	4'-3"	4'-11"	5'-5"			
	16	12	0'-7"	0'-8"	0'-8"	1'-0"	1'-6"	1'-8"	2'-0"	2'-7"	2'-11"	3'-1"	3'-8"	4'-2"	4'-4"	5'-0"	5'-6"
PKI40	9 1/2	8	0'-7"	0'-8"	1'-0"	1'-8"	2'-4"	2'-6"									
		10	0'-11"	1'-6"	2'-2"	2'-10"	3'-7"	3'-9"									
	11 7/8	10	0'-7"	0'-8"	0'-10"	1'-5"	2'-0"	2'-2"	2'-8"	3'-5"	3'-10"						
		12	0'-9"	1'-4"	1'-11"	2'-6"	3'-2"	3'-4"	3'-11"	4'-7"	5'-1"						
	14	12	0'-7"	0'-8"	0'-9"	1'-4"	1'-11"	2'-1"	2'-7"	3'-2"	3'-7"	3'-10"	4'-7"	5'-2"			
		14	0'-9"	1'-3"	1'-10"	2'-5"	3'-1"	3'-3"	3'-9"	4'-5"	4'-10"	5'-1"	5'-10"	6'-5"			
	16	14	0'-7"	0'-8"	0'-10"	1'-4"	1'-11"	2'-1"	2'-6"	3'-2"	3'-6"	3'-9"	4'-5"	5'-0"	5'-2"	5'-11"	6'-6"
		16	0'-9"	1'-4"	1'-10"	2'-5"	3'-1"	3'-2"	3'-8"	4'-4"	4'-9"	5'-0"	5'-8"	6'-2"	6'-5"	7'-2"	7'-9"
PKI50	11 7/8	12	0'-7"	0'-8"	0'-8"	1'-3"	2'-0"	2'-2"	2'-10"	3'-9"	4'-4"						
		14	0'-7"	0'-9"	1'-6"	2'-4"	3'-2"	3'-4"	4'-0"	4'-11"	5'-7"						
	14	14	0'-7"	0'-8"	0'-8"	1'-4"	2'-0"	2'-2"	2'-9"	3'-6"	4'-0"	4'-4"	5'-2"	5'-10"			
		16	0'-7"	1'-0"	1'-8"	2'-5"	3'-2"	3'-4"	3'-11"	4'-8"	5'-3"	5'-7"	6'-5"	7'-2"			
	16	16	0'-7"	0'-8"	0'-11"	1'-7"	2'-2"	2'-4"	2'-11"	3'-7"	4'-0"	4'-4"	5'-1"	5'-8"	5'-10"	6'-9"	7'-5"

Notes:

1. Distances in above chart are valid for continuous span and for floor joists supporting only uniform loads indicated above.
2. Table may be used for I-joist spacing of 24 inches on center or less.
3. Hole location distance is measured from inside face of supports to center of hole.
4. Joists with web hole locations and/or sizes fall outside of the scope of this table must be analyzed based on the actual hole size, joist spacing, span and load conditions.
5. If a rectangular hole is required, the rectangle hole must fit inside the maximum allowed round hole at the same location. See figure below for illustration.
6. Cutting of a web hole also needs to follow the Web Hole Specifications of PKI Joist.



LOCATION OF CIRCULAR HOLES IN PKI JOIST WEBS

Multiple Span for Live Loads up to 100 psf and Dead Loads up to 40 psf

Joist Series	Depth (in)	Clear Span (ft)	Minimum Distance from Inside Face of Any Supports to Center of Hole (ft-in)														
			Round Hole Diameter (in.)														
			2	3	4	5	6	6 1/4	7	8	8 5/8	9	10	10 3/4	11	12	12 3/4
PKI15	9 1/2	4	0'-7"	0'-8"	0'-8"												
	11 7/8	5	0'-7"	0'-8"	0'-8"	0'-9"	0'-11"	1'-0"									
PKI20	9 1/2	6	0'-7"	0'-8"	0'-9"	1'-4"	1'-10"	1'-11"									
	11 7/8	8	0'-7"	0'-8"	1'-0"	1'-6"	2'-0"	2'-1"	2'-6"	3'-0"	3'-6"						
	14	8	0'-7"	0'-8"	0'-8"	0'-9"	1'-1"	1'-2"	1'-7"	2'-0"	2'-4"	2'-6"	3'-0"	3'-7"			
	16	9	0'-7"	0'-8"	0'-8"	0'-9"	0'-11"	1'-0"	1'-4"	1'-10"	2'-1"	2'-3"	2'-9"	3'-1"	3'-2"	3'-11"	4'-4"
PKI35Plus	9 1/2	6	0'-7"	0'-8"	0'-9"	1'-3"	1'-10"	1'-11"									
	11 7/8	8	0'-7"	0'-8"	1'-0"	1'-6"	2'-0"	2'-1"	2'-6"	3'-0"	3'-6"						
	14	8	0'-7"	0'-8"	0'-8"	0'-9"	1'-1"	1'-2"	1'-6"	2'-0"	2'-4"	2'-6"	2'-11"	3'-7"			
	16	9	0'-7"	0'-8"	0'-8"	0'-9"	0'-10"	1'-0"	1'-4"	1'-9"	2'-1"	2'-3"	2'-8"	3'-1"	3'-2"	3'-10"	4'-4"
PKI40	9 1/2	8	0'-8"	1'-3"	1'-10"	2'-4"	2'-11"	3'-3"									
	11 7/8	10	0'-9"	1'-4"	1'-10"	2'-5"	2'-11"	3'-1"	3'-6"	4'-3"	4'-9"						
	14	11	0'-7"	0'-11"	1'-5"	1'-11"	2'-6"	2'-7"	3'-0"	3'-7"	3'-10"	4'-1"	4'-11"	5'-6"			
	16	12	0'-7"	0'-8"	1'-1"	1'-7"	2'-1"	2'-3"	2'-8"	3'-2"	3'-6"	3'-8"	4'-2"	4'-7"	4'-11"	5'-8"	6'-3"
PKI50	11 7/8	10	0'-7"	0'-8"	0'-8"	1'-3"	1'-11"	2'-1"	2'-8"	3'-4"	4'-0"						
	14	11	0'-7"	0'-8"	0'-8"	0'-11"	1'-7"	1'-9"	2'-3"	2'-10"	3'-3"	3'-6"	4'-4"	5'-0"			
	16	12	0'-7"	0'-8"	0'-8"	0'-9"	1'-4"	1'-6"	2'-0"	2'-7"	2'-11"	3'-2"	3'-9"	4'-2"	4'-4"	5'-3"	5'-11"

Notes:

1. Distances in above chart are valid for continuous span and for floor joists supporting only uniform loads indicated above.
2. Table may be used for I-joist spacing of 24 inches on center or less.
3. Hole location distance is measured from inside face of supports to center of hole.
4. Joists with web hole locations and/or sizes fall outside of the scope of this table must be analyzed based on the actual hole size, joist spacing, span and load conditions.
5. If a rectangular hole is required, the rectangle hole must fit inside the maximum allowed round hole at the same location. See figure below for illustration.
6. Cutting of a web hole also needs to follow the Web Hole Specifications of PKI Joist.

